

Panasonic

C-Series



PRO PART TECHNOLOGY CO.,LTD.

HD Analog Day/ Night Fixed IR Dome Camera

Panasonic

CV-CFW203L

Smart look Day/ Night Fixed Dome Camera with IR illuminator



Key Features

- High-performance CMOS image sensor.
- Support 1080p@25fps (PAL)/ 30fps (NTSC)
- Support 75-3 coaxial cable (Belden 9259 or equivalent) transmission up to 500m.
- High speed & long distance real-time transmission.
- Support ICR for day time and night time operation.
- Support auto exposure, auto white balance, auto electronic shutter and auto gain function.
- Support DC12V power supply.
- IP66 compliance.

Standard Accessories

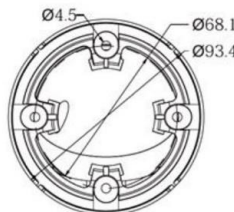
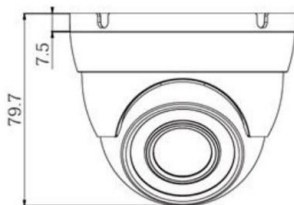
- Quick guide.....1 pc
- Important safety instruction.....1 pc

Specifications

Parameter	CV-CFW203L
Camera	
Image Sensor	1/2.9" 2.0 Mega Pixels CMOS
Effective Pixels	1936 (H) x 1097 (V)
Min Illumination	0.02Lux/ F2.0, 0Lux IR on
Electronic Shutter	PAL : 1/25s~1/100,000s NTSC: 1/30s~1/100,000s
Video Frame Rate	PAL : 25fps NTSC: 30fps
Synchronization	Internal
Day & Night	Auto (ICR)/ Color/ B/W
Max IR Distance	30m
Digital Noise Reduction	2D
White Balance	Auto
AGC	Auto
BLC	Auto
Lens	
Focal Length	3.6 mm
Angular Field of View	H: 82.8° V: 44.2°
Lens Type	M12
Input / Output	
Video Output	1CH BNC HD-CVI video output
General	
Power	DC 12V±25%
Power Consumption	2.8W MAX
Working Temperature	-30°C~+60°C. Less than 95% RH (no condensation)
Dimensions	Φ93.4 mm × 79.7 mm
Weight (approx.)	330g
External Case	Metal

*Refer to DVR spec sheet for recording frame rate limitation

Appearance



Important

- Safety Precaution: Carefully read the operating instruction manual before using this product.

- All pictures are simulated.
- Weights and dimensions are approximate.
- Specifications are subject to change without notice.
- These products may be subject to export control regulations.

DISTRIBUTED BY:

HD Analog Day/ Night Fixed IR Box Camera

Panasonic

CV-CPW203L

Smart look Day/ Night Fixed Box (Bullet) Camera with IR illuminator



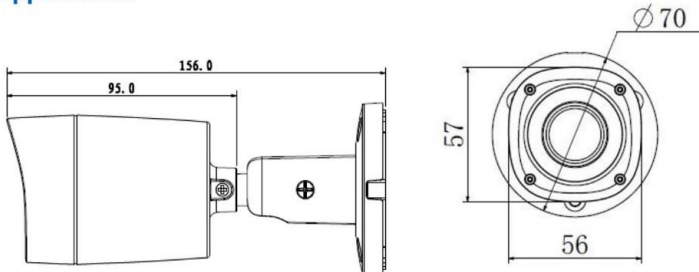
Key Features

- High-performance CMOS image sensor.
- Support 1080p@25fps (PAL)/ 30fps (NTSC)
- Support 75-3 coaxial cable (Belden 9259 or equivalent) transmission up to 500m.
- High speed & long distance real-time transmission.
- Support ICR for day time and night time operation.
- Support auto exposure, auto white balance, auto electronic shutter and auto gain function.
- Support DC12V power supply.
- IP66 compliance.

Standard Accessories

- Quick guide.....1 pc
- Important safety instruction.....1 pc

Appearance



Specifications

Parameter	CV-CPW203L
Camera	
Image Sensor	1/2.9" 2.0 Mega Pixels CMOS
Effective Pixels	1936 (H) x 1097 (V)
Min Illumination	0.02Lux/ F2.0, 0Lux IR on
Electronic Shutter	PAL : 1/25s~1/100,000s NTSC: 1/30s~1/100,000s
Video Frame Rate	PAL : 25fps NTSC: 30fps
Synchronization	Internal
Day & Night	Auto (ICR)/ Color/ B/W
Max IR Distance	20m
Digital Noise Reduction	2D
White Balance	Auto
AGC	Auto
BLC	Auto
Lens	
Focal Length	3.6mm
Angular Field of View	H: 82.8° V:44.2 °
Lens Type	M12
Input / Output	
Video Output	1CH BNC HD-CVI video output
General	
Power	DC 12V±25%
Power Consumption	2.8W MAX
Working Temperature	-30°C~+60°C. Less than 95% RH (no condensation)
Dimensions	Φ70.0 mm × 156.0 mm
Weight (approx.)	300g
External Case	Metal

*Refer to DVR spec sheet for recording frame rate limitation

Important

- Safety Precaution: Carefully read the operating instruction manual before using this product.

- All pictures are simulated.
- Weights and dimensions are approximate.
- Specifications are subject to change without notice.
- These products may be subject to export control regulations.

DISTRIBUTED BY:



4 CH/ 8 CH HD Analog Digital Video Recorder Specifications



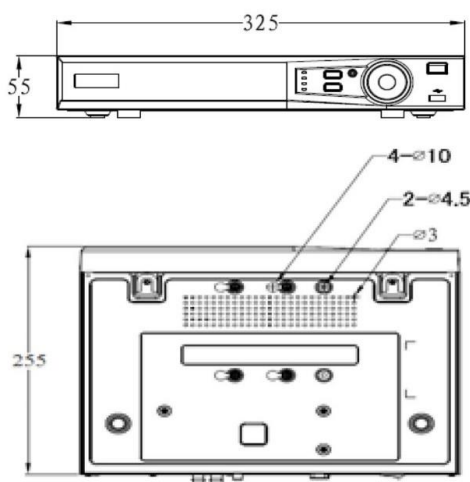
Key Features

- 4 CH (CJ-HDR104) / 8 CH (CJ-HDR108) with 720p real-time recording playback and live view
- H.264 video encode
- HDMI/ VGA simultaneous video output
- Support 1 SATA HDDs up to 6TB, 2 USB
- Digital Zoom in Live & Playback
- iPhone, iPad, & Android

Standard Accessories

- Quick guide.....1 pc
- Important safety instruction.....1 pc
- CD1pc

Appearance



Model	CJ-HDR104	CJ-HDR108
Video/ Audio IF		
Video Input	4 CH, BNC	8 CH, BNC
Type	HDCVI	720p/ 1080p HDCVI
	Analog	NTSC/ PAL
Video Output	1 HDMI, 1 VGA	
Audio Input	1 CH, RCA	
Audio Output	1 CH, RCA	
Two-way Talk	Reuse audio input/ output CH 1	
Display		
Output Resolution	1920×1080, 1280×1024, 1280×720, 1024×768	
Multiscreen Mode	1/4	1/4/8/9
Privacy Masking	4 rectangular zones (each camera)	
OSD	Camera title, Time, Video loss, Camera lock, Motion detection, Recording	
Video/ Audio Format		
Video/ Audio Compression	H.264/ G.711	
Record Rate*	Main Stream	1080P (1~12/15fps)/ 720P/ 960H/ D1 (1~25/30fps)
	Extra Stream	CIF/ QCIF (1~25/30fps), D1 (1~12/15fps)
Bit Rate	96~4096Kb/s	
Record Mode	Manual, Schedule (Regular (Continuous), MD), Stop	
Record Interval	1~60 min (default: 60 min), Pre-record: 1~30 sec, Post-record: 10~300 sec	
Alarm/ Event		
Trigger Events	Recording, PTZ, Tour, Video Push, Email, FTP, Snapshot, Buzzer & Screen tips	
Video Detection	Motion Detection, MD Zones: 396 (22×18), Video Loss & Camera Blank	
Playback & Backup		
Sync Playback	1/4	1/4/9
Search Mode	Time/ Date, MD & Exact search (accurate to second)	
Playback Functions	Play, Pause, Stop, Rewind, Fast play, Slow play, Next file, Previous file, Next camera, Previous camera, Full screen, Repeat, Shuffle, Backup selection, Digital zoom	
Backup Mode	USB Device/ Network	
Network		
Network Interface	RJ-45 port (10/ 100M)	
Network Functions	HTTP, IPv4/IPv6, TCP/IP, UPNP, RTSP, UDP, SMTP, NTP, DHCP, DNS, PPPoE, DDNS, FTP, IP Filter, SNMP, P2P	
Max. User Access	128 users	
Mobile Device	iPhone, iPad, Android	
HDD		
Type	1 SATA port, up to 6TB	
External Interface		
USB Interface	2 ports (1 Rear), USB2.0	
RS485 Camera Interface	1 port, For PTZ Control	
General Specifications		
Power Supply	DC12V/4A	
Power Consumption	10W (without HDD)	
Working Environment	-10°C~+55°C / 10%~90%RH / 86~106kpa	
Dimension(W×D×H)	Mini 1U, 325mm×255mm×55mm	
Weight	1.5KG (without HDD)	

-Auto Reboot (once a week)

- Recording rate of CH 1 or CH 5 set at 1080p (16~25/30fps), will only allow the other channels to record at 1080P (1~7fps) or 720p (1~15fps).

Important

- Safety Precaution: Carefully read the operating instruction manual before using this product.

- All pictures are simulated.
- Weights and dimensions are approximate.
- Specifications are subject to change without notice.
- These products may be subject to export control regulations.

DISTRIBUTED BY:

16 CH HDCVI 2 SATA HDD Analog Digital Video Recorder



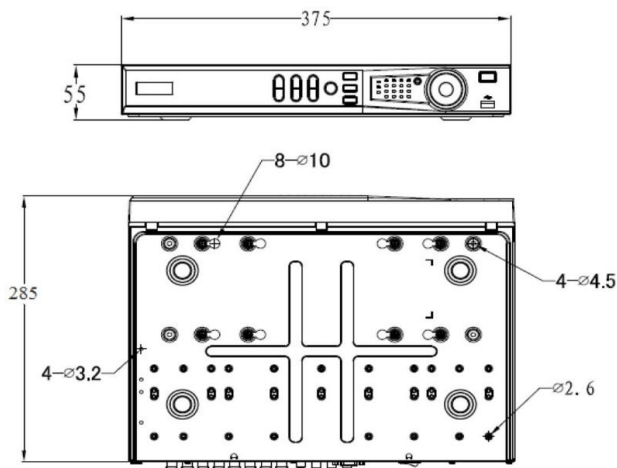
Key Features

- 16 CH with 720p real-time recording playback and live view
- H.264 video encode
- 1/4/9/16 CH synchronous real time playback
- HDMI/ VGA simultaneous video output
- Support 2 SATA HDDs up to 12 TB, 2 USB
- Digital Zoom in Live & Playback
- iPhone, iPad & Android

Standard Accessories

- Quick guide..... 1 pc
- Important safety instruction.....1 pc
- CD1pc

Appearance



Specifications

Model		CJ-HDR216
Video/ Audio IF		
Video Input		16 CH, BNC
Type	HDCVI	720p/ 1080p HDCVI
	Analog	NTSC/ PAL
Video Output		1 HDMI, 1 VGA
Audio Input		1 CH, RCA
Audio Output		1 CH, RCA
Two-way Talk		Reuse audio input/ output CH 1
Display		
Output Resolution		1920×1080, 1280×1024, 1280×720, 1024×768
Multiscreen Mode		1/4/8/9/16
Privacy Masking		4 rectangular zones (each camera)
OSD		Camera title, Time, Video loss, Camera lock, Motion detection, Recording
Video/ Audio Format		
Video/Audio Compression		H.264/ G.711
Record Rate*	Main Stream	1080P (1~12/15fps)/ 720P/ 960H/ D1 (1~25/30fps)
	Extra Stream	CIF/ QCIF (1~25/30fps), D1 (1~12/15fps)
Bit Rate		96~4096Kb/s
Record Mode		Manual, Schedule (Regular (Continuous), MD), Stop
Record Interval		1~60 min (default: 60 min), Pre-record: 1~30 sec, Post-record: 10~300 sec
Alarm/ Event		
Trigger Events		Recording, PTZ, Tour, Video Push, Email, FTP, Snapshot, Buzzer & Screen tips
Video Detection		Motion Detection, MD Zones: 396 (22×18), Video Loss & Camera Blank
Playback & Backup		
Sync Playback		1/4/9/16
Search Mode		Time/Date, MD & Exact search (accurate to second)
Playback Functions		Play, Pause, Stop, Rewind, Fast play, Slow play, Next file, Previous file, Next camera, Previous camera, Full screen, Repeat, Shuffle, Backup selection, Digital zoom
Backup Mode		USB Device/Network
Network		
Network Interface		RJ-45 port (10/100M/ 1000M)
Network Functions		HTTP, IPv4/IPv6, TCP/IP, UPNP, RTSP, UDP, SMTP, NTP, DHCP, DNS, PPPOE, DDNS, FTP, IP Filter, SNMP, P2P
Max. User Access		128 users
Mobile Device		iPhone, iPad, Android
HDD		
Type		2 SATA ports, up to 12TB
External Interface		
USB Interface		2 ports (1 Rear), USB2.0
RS485 Camera Interface		1 port, For PTZ Control
General Specifications		
Power Supply		DC12V/5A
Power Consumption		15W (without HDD)
Working Environment		-10°C~+55°C / 10%~90%RH/ 86~106kpa
Dimension(W×D×H)		1U, 375mm×285mm×55mm
Weight		2.35KG (without HDD)

-Auto Reboot (once a week)

- Recording rate of CH 1, CH 5, CH 9, or CH 13 set at 1080p (16~25/30fps), will only allow the other channels to record at 1080P (1~7fps) or 720p (1~15fps).

Important

- Safety Precaution: Carefully read the operating instruction manual before using this product.

- All pictures are simulated.
- Weights and dimensions are approximate.
- Specifications are subject to change without notice.
- These products may be subject to export control regulations.

DISTRIBUTED BY:

HD Analog Digital Video Recorder

Panasonic

CJ-HDR416

16 CH HDCVI 4 SATA HDD Analog Digital Video Recorder



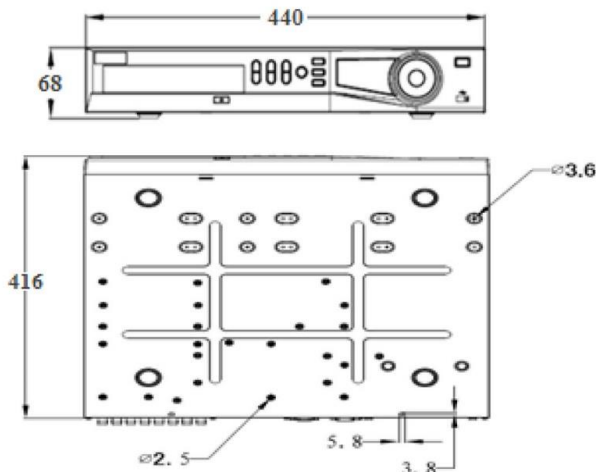
Key Features

- 16 CH with 720p real-time recording playback and live view
- H.264 video encode
- 1/4/9/16 CH synchronous real time playback
- HDMI/ VGA/ TV simultaneous video output
- Support 4 SATA HDDs up to 24TB, 3 USB
- Digital Zoom in Live & Playback
- iPhone, iPad & Android

Standard Accessories

- Quick guide.....1pc
- Important safety instruction.....1 pc
- CD1pc

Appearance



Specifications

Model		CJ-HDR416
Video/ Audio IF		
Video Input	16 CH, BNC	
Type	HDCVI	720p/ 1080p HDCVI
	Analog	NTSC/ PAL
Video Output	1 HDMI, 1 VGA, 1 TV	
Audio Input	4 CH, BNC	
Audio Output	1 CH, BNC	
Two-way Talk	1 CH input, 1 CH output, BNC	
Display		
Output Resolution	1920×1080, 1280×1024, 1280×720, 1024×768	
Multiscreen Mode	1/4/8/9/16	
Privacy Masking	4 rectangular zones (each camera)	
OSD	Camera title, Time, Video loss, Camera lock, Motion detection, Recording	
Video/ Audio Format		
Video/Audio Compression	H.264/ G.711	
Record Rate*	Main Stream	1080P (1~12/15fps)/ 720P/ 960H/ D1/ HD1/ 2CIF/ CIF (1~25/30fps)
	Extra Stream	CIF/ QCIF (1~25/30fps), D1 (1~12/15fps)
Bit Rate	48~4096Kb/s	
Record Mode	Manual, Schedule (Regular (Continuous), MD), Stop	
Record Interval	1~60 min (default: 60 min), Pre-record: 1~30 sec, Post-record: 10~300 sec	
Alarm/ Event		
Trigger Events	Recording, PTZ, Tour, Alarm out, Video Push, Email, FTP, Spot, Snapshot, Buzzer & Screen tips	
Video Detection	Motion Detection, MD Zones: 396 (22×18), Video Loss & Camera Blank	
Playback & Backup		
Sync Playback	1/4/9/16	
Search Mode	Time/Date, MD & Exact search (accurate to second)	
Playback Functions	Play, Pause, Stop, Rewind, Fast play, Slow play, Next file, Previous file, Next camera, Previous camera, Full screen, Repeat, Shuffle, Backup selection, Digital zoom	
Backup Mode	USB Device/ eSATA Device/ Network	
Network		
Network Interface	RJ-45 port (10/100M/ 1000M)	
Network Functions	HTTP, IPv4/IPv6, TCP/IP, UPNP, RTSP, UDP, SMTP, NTP, DHCP, DNS, PPPoE, DDNS, FTP, IP Filter, SNMP, P2P	
Max. User Access	128 users	
Mobile Device	iPhone, iPad, Android	
HDD		
Type	4 SATA ports, up to 24TB	
External Interface		
USB Interface	3 ports (2 Rear), USB2.0	
RS485 Camera Interface	1 port RS485 for PTZ control, 1 port RS422 for Keyboard	
General Specifications		
Power Supply	AC 100~240 V, 50/60 Hz	
Power Consumption	40W (without HDD)	
Working Environment	-10°C~+55°C/ 10%~90%RH/ 86~106kpa	
Dimension(W×D×H)	1.5U, 440mm×416mm×68mm	
Weight	6KG (without HDD)	

-Auto Reboot (once a week)

- Recording rate of CH 1, CH 5, CH 9, or CH 13 set at 1080p (16~25/30fps), will only allow the other channels to record at 1080P (1~7fps) or 720p (1~15fps).

Important

- Safety Precaution: Carefully read the operating instruction manual before using this product.

- All pictures are simulated.
- Weights and dimensions are approximate.
- Specifications are subject to change without notice.
- These products may be subject to export control regulations.

DISTRIBUTED BY: